

ALYA
EXCELLENCE LINE



T E D I S E L
M E D I C A L
T E D I S E L
M E D I C A L



ALYA

Technical module manufactured in compacted material with exterior and interior coating made of synthetic resins, size 2000x450x350mm.

Formed by two compartments, to serve patients and medical personnel.

The medical personnel module is located on the front side, on the upper part of the cabinet and is covered by a plate which slides downwards, in order to conceal the mechanisms when not in use.

When the gas terminals are not in use, they may be covered by a plate on which it will be possible to place slides or pictograms protected by a methacrylate support.

The patient's equipment is located on the side parallel to the bed and provides a lighting module, electric sockets, and intercommunication systems.

This product is recommended for hospitalisation units.



DESIGN

Designed to be installed vertically and backed on the patient's bed head side wall.

Each compartment has different electrical terminals and medicinal gas sockets installed, whose housing and connection are physically separated.

It provides two technical bars to adapt accessories provided with universal fixing device. The most common are flow-meters, respirators, secretion cups and drip supports.

DETAILS



Intercommunication



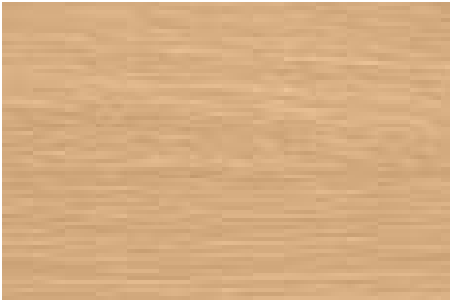
Electrical sockets



Technical bars

STANDARD COLOURS

Fibreboard veneered with PolyRey type HPL laminate.



D018 Chene de Meymac

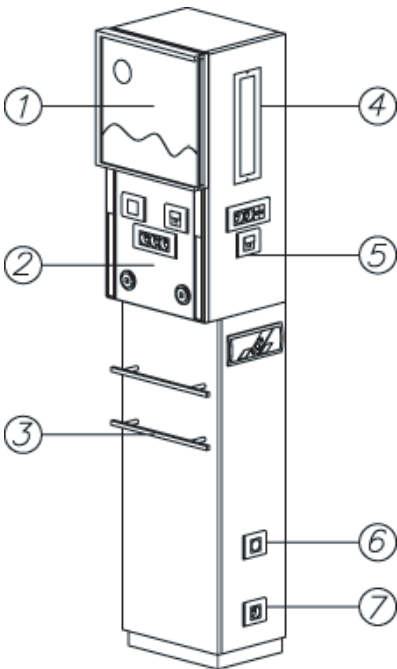


M020 Merisier Nature



M091 Merisier Ambré

There could be a difference between the real colour of the product and the example printed in the catalogue



- 1 Sliding Blade-holder
- 2 Electrical mechanisms and gas sockets for physicians
- 3 Accessories holder technical bars
- 4 Direct lighting module
- 5 Electrical terminals for patient use
- 6 Night monitoring pilot
- 7 Electric bed connection socket

STANDARD

The wall mounted bed head units (ALYA) are classified as class II B according to the essential requirements of the directive 93/42 CEE regarding medical devices

This product is manufactured following the standard applicable to medical devices, EN-ISO 11197:2004 and UNE-EN 60601-1:1990, regarding the Electromagnetic compatibility and Electrical Safety and is certified by the official test Laboratory and notified body

Tedisel Medical is certified as a manufacturing company of medical devices, following the quality management system of EN-ISO 13485:2003 standard

● www.tedisel.com