



OPERATING THEATER DOORS

HERMETICALLY SEALED SLIDING DOORS

T E D I S E L L
M E D I C A L

T E D I S E L L
M E D I C A L



• OPERATING THEATER DOORS

For pressurised areas Tedisel Medical offers its hermetically sealed sliding doors.

They may be fitted in surgical areas, laboratories and environments where the maximum priority is to control the pressurised air and hygiene.

These door systems offer a complete seal, low weight and a completely silent operation.

Our hermetic seal systems provide an effective sealing system, rounded profiles and double-sided panels manufactured in high-pressure laminate, offering an excellent appearance.

Tedisel Medical supplies its doors with an innovative, fully automatic opening and closing system provided with safety measures that prevent closure in the case of detecting an obstacle in the door's route and that enables them to be used manually in the event of failure in the power supply.

A system of upper panel anchoring rails allows for effortless manual operation.



QUALITY

Quality and reliability are very important aspects in the range of Tedisel Medical products, which comply with all the demands of the main international standards and specifications (EC and TÜV certificate standards).

The use of certified materials and components and a solid structure guarantee a reliable performance and long life. Our range of products is of easy installation thanks to its simple assembly.

VARIETY OF MODELS

The automatic doors are supplied as a standard model or adapted to the specific requirements of each project.

We provide a wide range of sizes, finishes, and types of window, pushbuttons and automatism to cover all the markets requirements.

All our range of doors is equipped with Kone-Waldoor automatic door technology, and an intelligent continuously self-regulated control system which guarantees the perfect movement of each door.



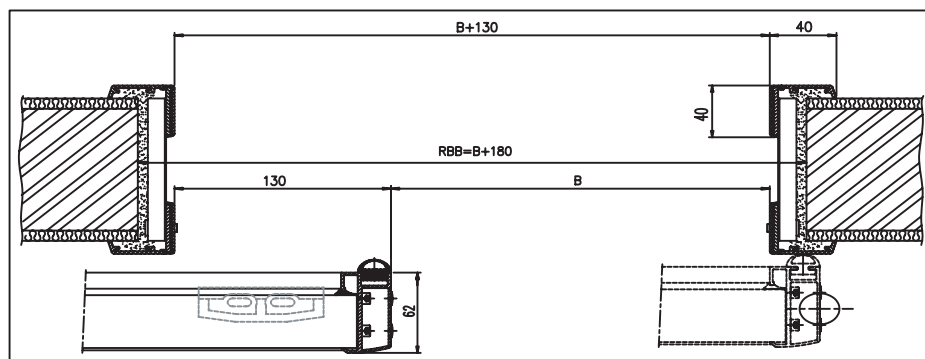
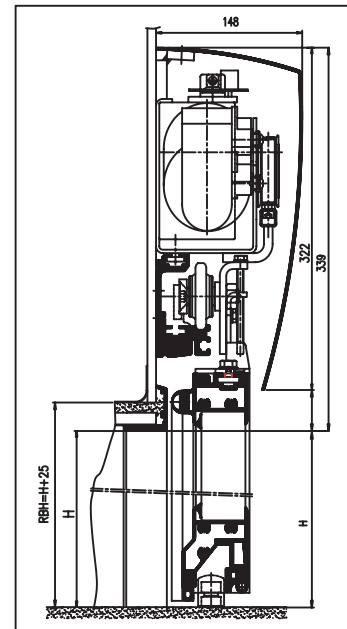
FINISHINGS

The basic finish for the doors is made of medium density Fibreboard, veneered with HPL laminated and in colour to choose from the standard colours of the different manufacturers like for example: Formica, Max, Perstop o Polirey.

On request we can supply the doors in different finishes such as, aluminium, stainless steel, glass, fireproof material or with lead coating for the radiology units.

CONTROLLERS

- Control : Kone-Waldoor Tecnology
- Power Supply voltage: 230V AC - 50 Hz
- Power consumption: < 100 W
- Sliding speed: < 1150 N max. Approx. 0.6 m/sec.
1150 – 1750 N max. 0.4 m/sec.
- PushButtons /switches: Fitted elbowswitch, proximity sensor, Interconnection between doors
- Use in power failures: Easy manual use with door handle.



APPROVALS



Product manufactured by Kone-Waldoor for Tedisel Medical

• www.tedisel.com